

KAIMAN MAXI

KAIMAN MAXI: combined wall bracket and shelf support for wood shelf 39 to 73mm thick.

Can be fixed:

- to cement wall with rawplug \varnothing 8mm and pan head screw \varnothing 5x50mm.
- to wood panels with \varnothing 5mm countersunk head screw only;
- to wood panels 18mm thick with special designed spreading dowel and M6 bolt.
- to plaster board with umbrella fitting \varnothing 8mm and pan head screw M4x46mm.

Useful fixing method for aligning wall brackets and shelf inclination adjustment as required.

Capable of supporting a 25Kg load each (shelf weight included), for a shelf 320mm deep.

Zinc alloy
Engineering plastic

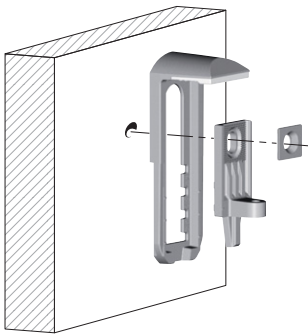
40-70 mm



25 kg for each shelf support
for shelf 320 mm deep

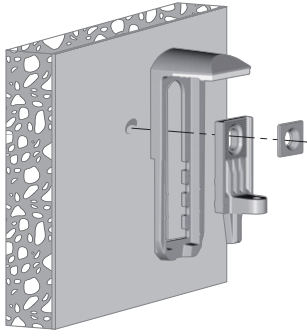


WOOD



Recommended fixing countersunk screw type - head \varnothing 5 mm max.

SOLID AND PLASTERBOARD WALLS

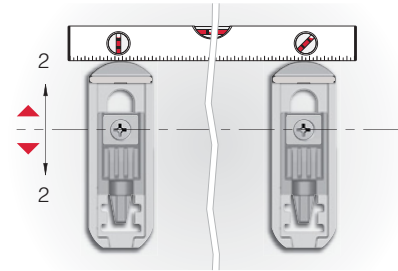


It is the responsibility of the customer:

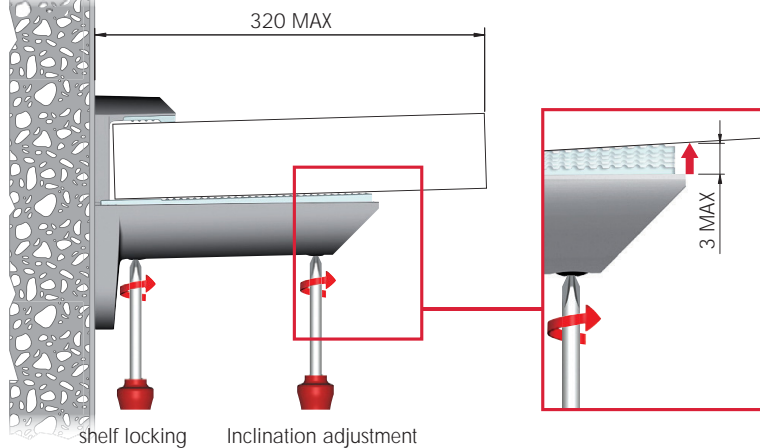
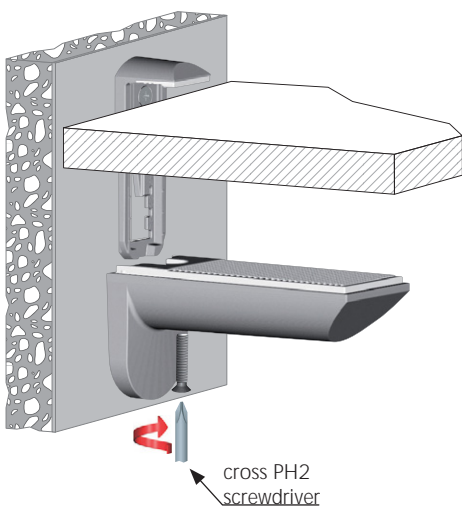
- to ensure that the wall is of a suitable quality to hold the shelf fixing in place.
- to use the proper hardware fittings according to the construction of the wall.

For more specific information, please refer to the WARNINGS section at the end of the catalogue

BRACKET ALIGNMENT

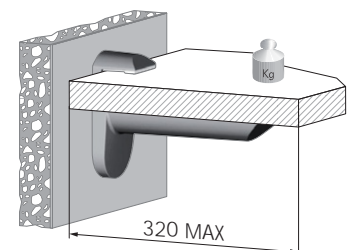
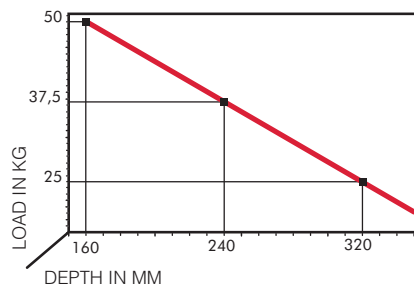


SHELF LOCKING AND INCLINATION



COMBINATION SHELF LOAD AND SHELF DEPTH

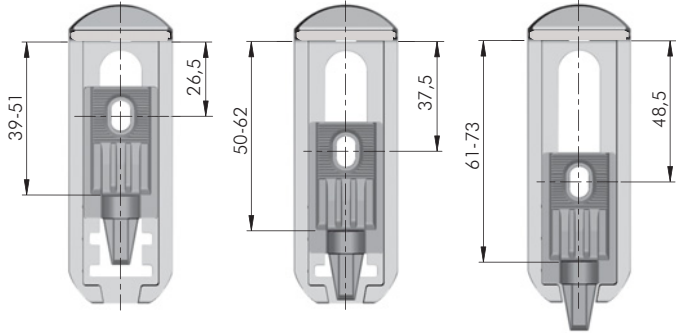
(The figures refer to 1 shelf support)



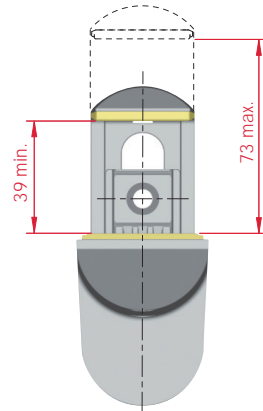
+ shelf weight = 25 kg MAX for each shelf support



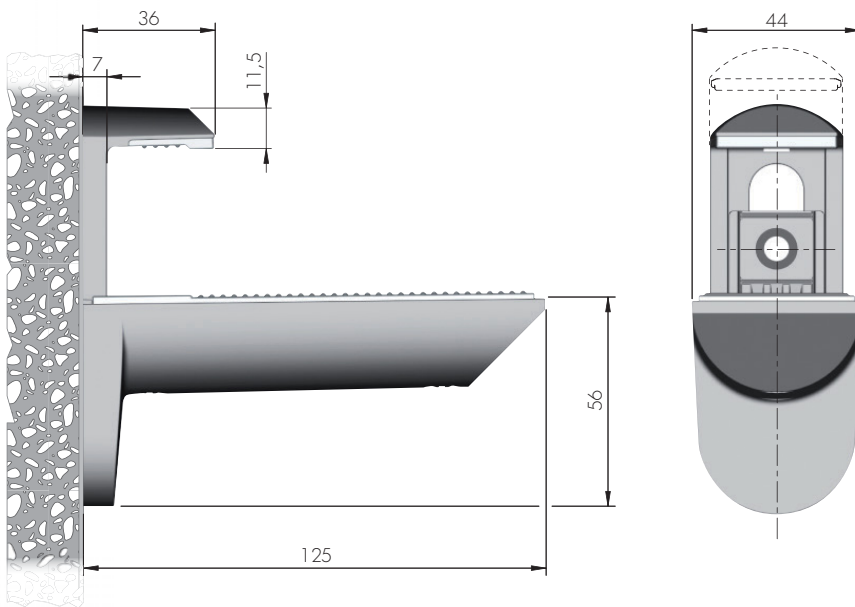
POSITION OF THE RIDGE PLATE



Wood and honeycomb shelves



Shelf is clamped between a layer of ridged plastic on both the lower and upper side (coloured parts).



	= PH2	
		= 10 pairs
16105010JL		
16105010YD		
16105010KB		
16105010ZQ		

NOTE: KAIMAN MAXI is supplied in carton box including 2 pieces, accessories and fitting guide. Countersunk fixing screws Ø 5x50 and rawlplugs Fischer SX Ø 8x40 to wall are included.

